

# Architect / Specify



## Information for Architect

Hush Panels NZ specializes in manufacturing custom panels tailored to your project's requirements.

When specifying our panels, kindly provide us with the following details:

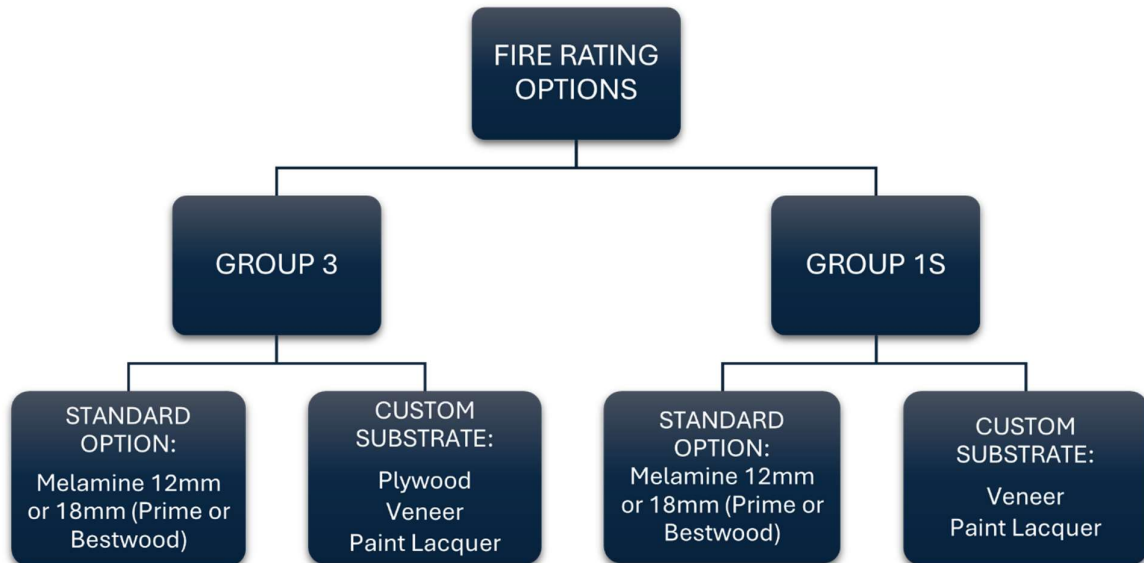
1. **Substrate:** Specify the type of substrate needed for the panels such as MDF, plywood, or others. This choice affects the panel's durability and aesthetic.
2. **Fire Rating Options for Material Selection:** Choose the appropriate fire rating based on building codes and safety requirements. Options typically range from non-rated to highly fire-resistant materials.
3. **Acoustic Properties:** Indicate any specific acoustic performance requirements. This may include sound absorption ratings or specific decibel reduction levels needed.
4. **Finish Options:** Provide details on the desired finish, such as paint, veneer, or laminate. Finishes can be customized to match the design aesthetic.
5. **Dimensions and Shapes:** Specify the dimensions and shapes of the panels. Custom shapes and sizes can be accommodated to fit unique architectural designs.

These details will ensure that the panels meet your project's precise needs. Please feel free to reach out for any additional customization options or queries.

## Substrate

Our Hush Panels are typically manufactured from 12mm or 18mm Prime Melamine or Bestwood Melamine on either standard MDF or black FR MDF. Paint lacquer, veneer, plywood options are available on request.

# Fire Rating Options for Material Selection



## Fabric Backing

All our panels come factory fitted with our 100gsm black fabric, glue fixed to reverse side.

## Acoustic Backing

QuietStuf® Polyester acoustic insulation is available in white. Acoustic backing is supplied as full sheets (2400 x 1200) ready for cutting on site for easy fitting between battens or studs. QuietStuf® Autex Acoustic Blanket AAB-35-50 (50mm thick) or AAB-35-25 (25mm thick).

## Product Code

The Product Code is the pattern code and taken from our Products page – eg: G79.8.

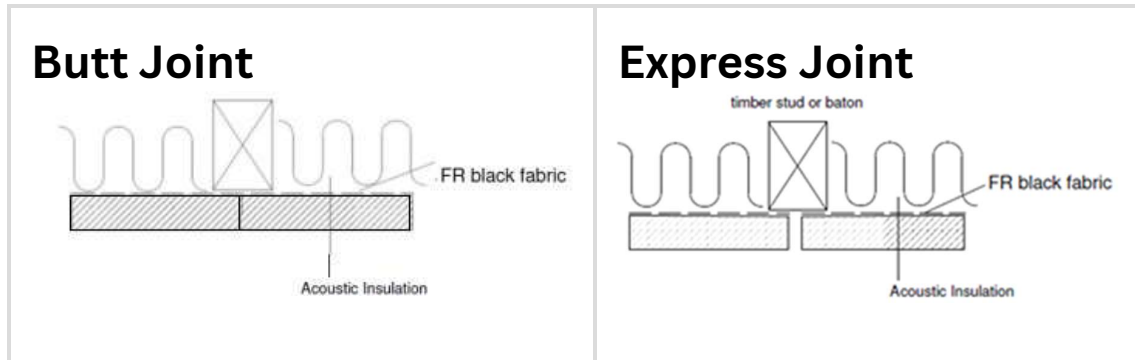
## Face Finish

Melamine – eg: “Velvet” or “Timberlands” (See finish options in Product page under colour/finish). All custom material such as Plywood and Veneer with paint lacquer are factory finished.

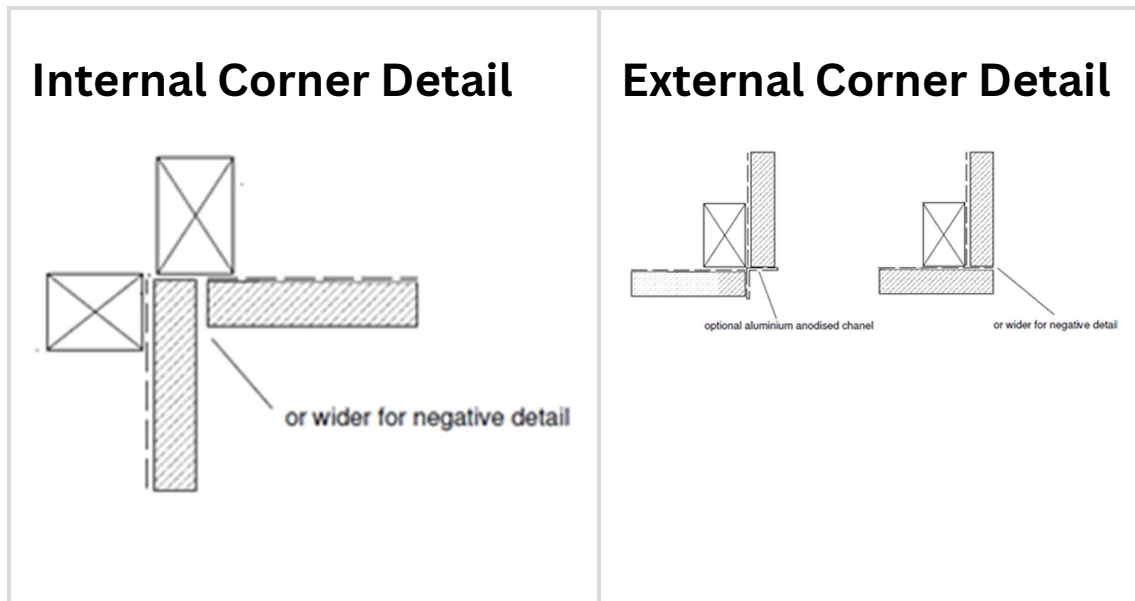
# Edge, Joint & Corner Detail:

Edges come standard as unfinished as typically butt jointed and unseen. Edges can be custom finished as required.

## Joints



## Corner Detail



## Contact Us

64 Beatty Street, Annesbrook, Nelson 7011

0800 HUSH PANELS

03 5470010

sales@hushpanels.co.nz

**Hush Panels**  
acoustic and decorative panelling